

Switch Language

English

Need Assistance?

Contact Us
Find a Distributor
Order Samples
Tech Library

Printer-friendly page

Email this page

[Home](#) [Splices](#) [Datasheet](#)

Part Number: 0191540028

Status: Active

Description: InsulKrimp™ Butt Splice for 10-12 AWG Wire

Documents:

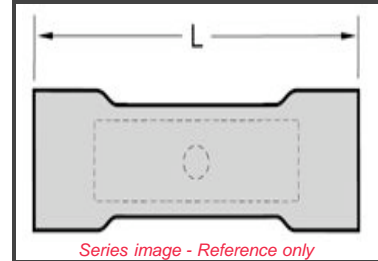
Note - Please disable browser pop-up blockers for documents on www.molex.com

[Drawing \(PDF\)](#)

[Product Specification PS-19902-007 \(PDF\)](#)

[Packaging Specification \(PDF\)](#)

[Related Catalog Page \(PDF\)](#)



Order Products:

[Check Distributor Inventory](#)

[Add to My Parts](#)

[Request Samples](#)

Part Detail: [\(show all\)](#)

[General](#) [Physical](#) [Electrical](#) [Material Info](#)

General

Product Family	Splices
Series	19154
Mil-Spec	N/A
Product Name	Butt
Product Name	InsulKrimp™

Physical

Barrel Type	Closed
Color - Resin	Natural
Flammability	94 V2
Insulation	PVC
Material - Metal	Copper
Material - Resin	PVC
Packaging Type	Bag
Temperature Range - Operating	-40°C to +105°C
Wire Insulation Diameter	6.35mm (.250") max
Wire Size AWG	10
Wire Size AWG	12
Wire Size mm²	3.30 - 5.00

Electrical

CSA	LR18689
UL	E32244
Voltage - Maximum	600V

Material Info

Old Part Number	C-246X
-----------------	--------

Reference - Drawing Numbers

Product Specification	PS-19902-007
Sales Drawing	6040402C

EU RoHS

ELV and RoHS Compliant



Need more information on product compliance?

Email productcompliance@molex.com

Please visit the [Contact Us](#) section for any non-product compliance questions.

Search Parts in this Series

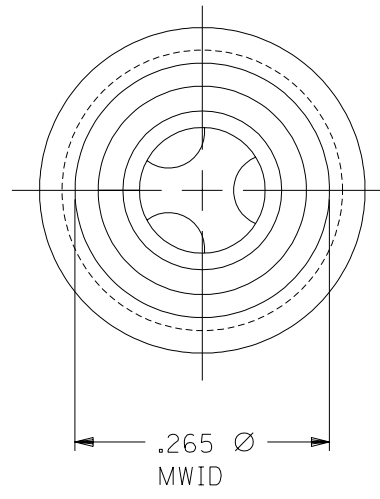
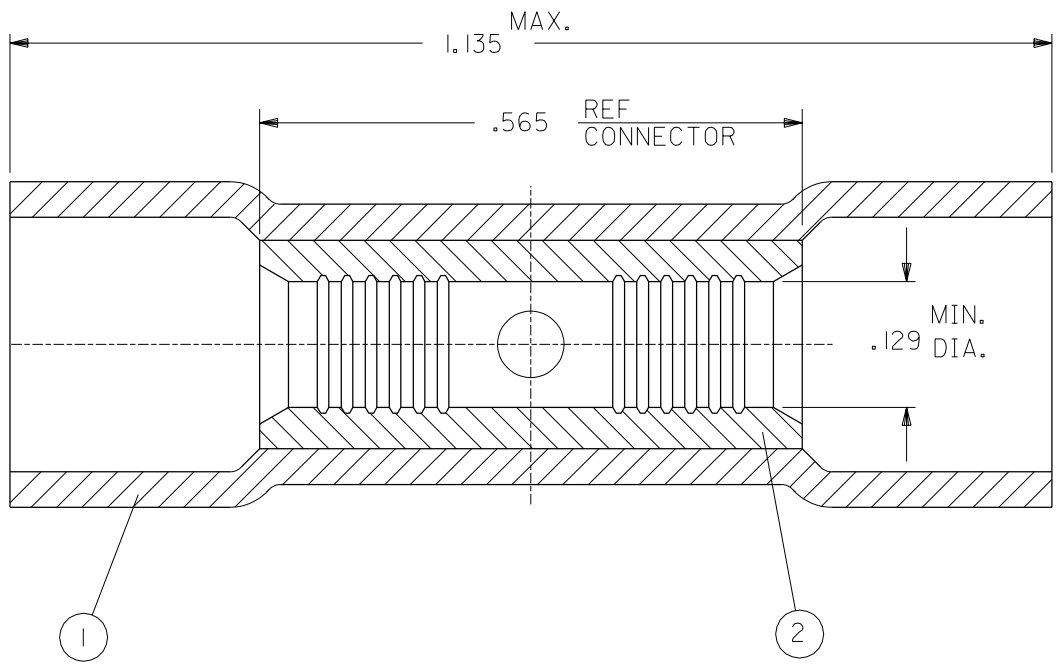
[19154 Series](#)

Application Tooling

Tooling specifications and manuals are found by selecting the products below. Crimp Height Specifications are then contained in the Application Tooling Specification document.

Global

Description	Product #
Hand Crimp Tool	0640010100
Hand Crimp Tool	0640010300
Hand Crimp Tool	0640011500
Crimp Head for the AT-200™ Pneumatic Hand Tool	0640050100
Crimp Head for the AT-200™ Pneumatic Hand Tool	0640050300



- NOTES:
 1. COLOR CODED INSULATION, YELLOW, PVC
 2. CONNECTOR MATERIAL: COPPER
 3. CONNECTOR PLATING: TIN

MWID = MAX. WIRE INSULATION DIA.

LTR.	REVISIONS

DIMENSIONS SHOWN (METRIC) INCH	
UNLESS OTHERWISE SPECIFIED TOLERANCES: ANGULAR ± 1/2°	
	INCH METRIC
3 PLACE	± ±
2 PLACE	± ±
1 PLACE	± ±
DRAFT WHERE APPLICABLE MUST REMAIN WITHIN DIMENSIONS	
DRWG. BY EMF	CHK'D. BY JM
APP'D. BY FP	SCALE NO: NE

REVISE ONLY ON CAD SYSTEM			
TITLE BUTT SPLICE CONNECTOR INSULKRIMP 12-10 AWG.			
molex ETC INC. PINELLAS PARK, FLA. 33781 U.S.A.		SHEET NO. 1 OF 1	DATE 11/16/93
PART NO. C-246X		DRWG. NO. 60404-02C	
FILE NAME 6040402C	THIS DRAWING CONTAINS INFORMATION THAT IS PROPRIETARY TO MOLEX-ETC INC. AND SHOULD NOT BE USED WITHOUT WRITTEN PERMISSION.		DIV. A